

S35C

Rotary Piling line

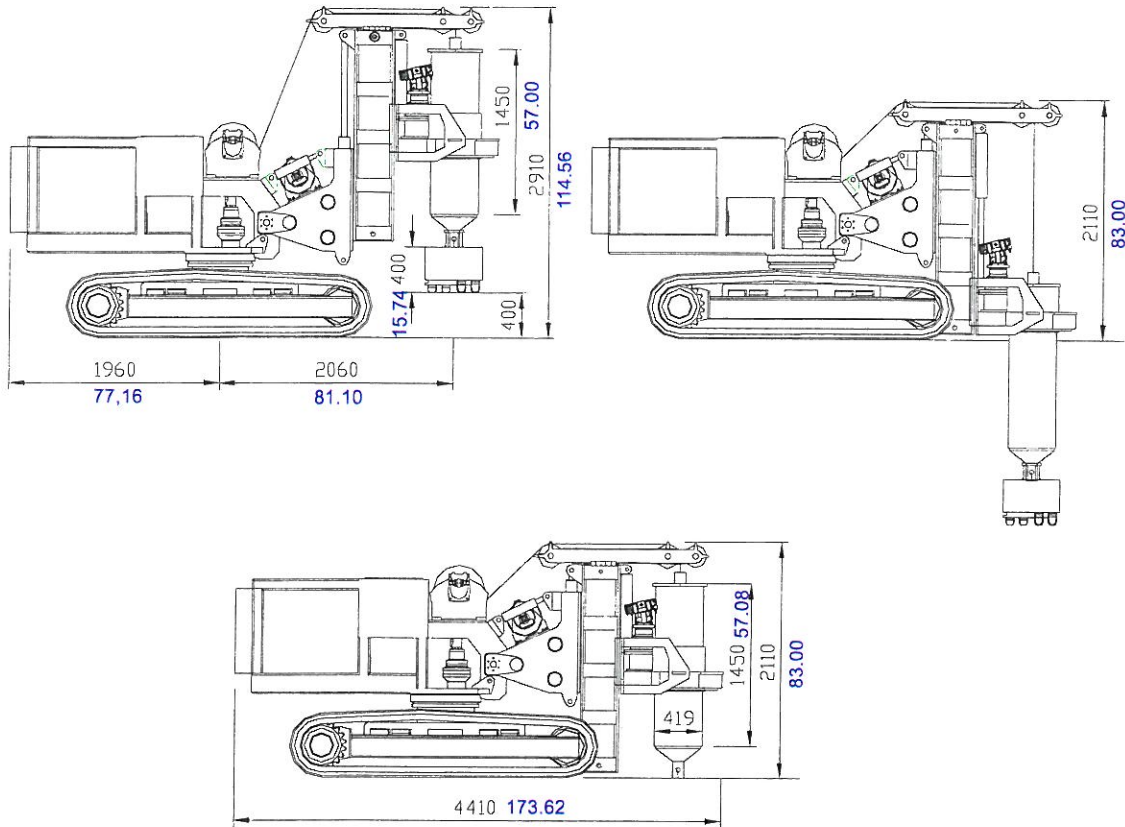
Suitable
for restricted sites
Adatta
per spazi ridotti



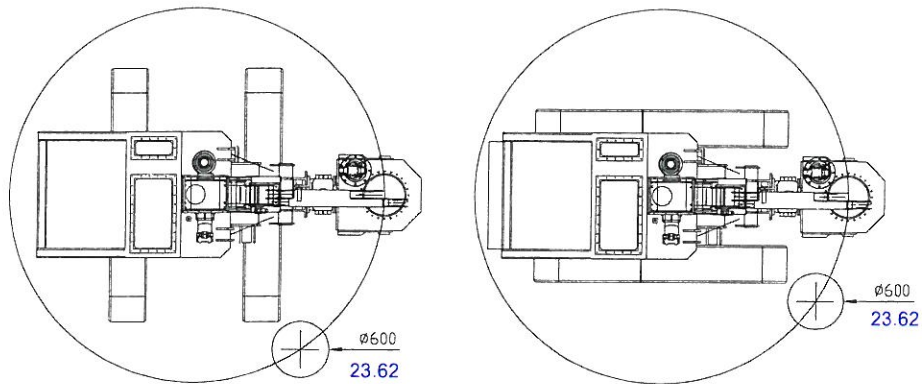
Dati tecnici Technical data

S35C

Dimensioni minime - Minimum dimensions



Dimensioni di trasporto Transport dimensions



DATI TECNICI TECHNICAL DATA

Diametri	Pile diameter		mm	400 - 600	15.74 - 23.62 in
Profondità		Max depth pile	mt	7,50 - 22,80	24.6 - 74.80 ft

DATI TECNICI

TECHNICAL DATA

Rotary

Coppia nominale
Velocità max
Velocità di scarico

Nominal torque
Max drilling speed
Discharge speed

kNm
rpm
rpm

RT35

3500
12-32
55

RT35W

2581464 lbf-ft

Peso

Weight

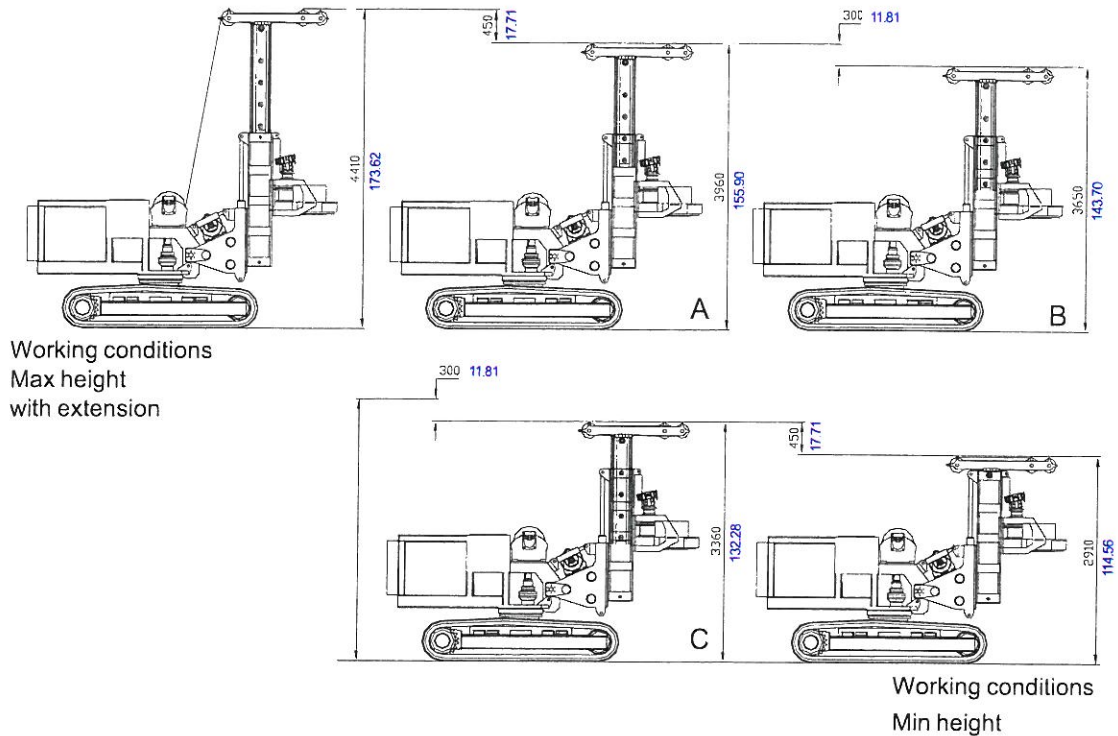
T

7,5

16534.67 lb

S35C

KELLY BAR



KELLY-BARS

Elements n.	6	7	8	9	10
External	323 12.71 in	406 15.98 in	419 16.49 in	419 16.49 in	419 16.49 in
	273 10.74	368 14.48	385 15.15	385 15.15	385 15.15
	229 9.01	323 12.71	351 13.81	351 13.81	351 13.81
	178 7	273 10.74	317 12.48	317 12.48	317 12.48
	127 5	229 9.01	283 11.14	283 11.14	283 11.14
	90 3.54	178 7	248 9.76	248 9.76	248 9.76
		127 5	213 8.38	213 8.38	213 8.38
			178 7	178 7	178 7
				139 5.47	139 5.47
					90 3.54

KELLY-BARS Interlocking type

		DIA 323mm 12.71 in		DIA 406mm 15.98 in		DIA 419mm 16.49 in	
	Elements n.	6	7	8	9	10	
	Lunghezza- Lenght	Profondità scavo - Drilling depth					
		m					
Max height	2500 98.42 in	13,80 45.27 ft	16,00 52.49 ft	18,30 60 ft	20,50 67.25 ft	22,80 74.80 ft	
Max height	2250 88.58	12,30 40.35	14,30 46.91	16,30 53.27	18,30 60	20,30 66.60	
	A	2000 78.73	10,80 35.43	12,50 41.01	14,30 46.91	16,00 52.49	17,80 58.39
	B	1700 66.92	9,00 29.52	10,40 34.12	11,90 39.04	13,70 44.94	14,80 48.55
MIN height	1450 57.08	7,50 24.6	8,70 28.54	9,90 32.48	11,00 36	12,30 40.35	

C for Kelly between 1500 (59 in) and 1650mm (64.96 in) length

NOTE Is possible to make different configurations