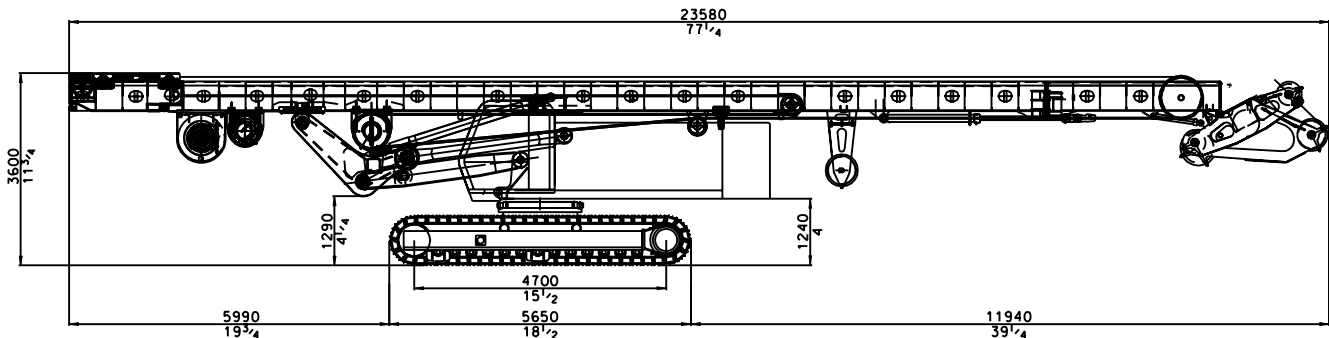
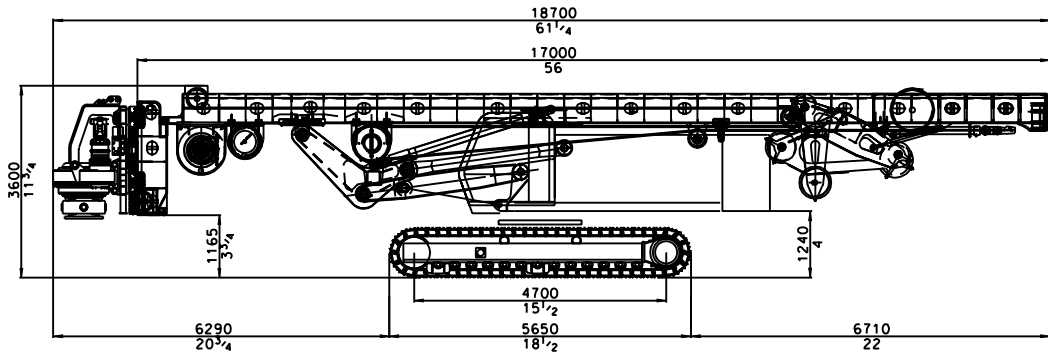


DR 27
Pile Drilling Rig

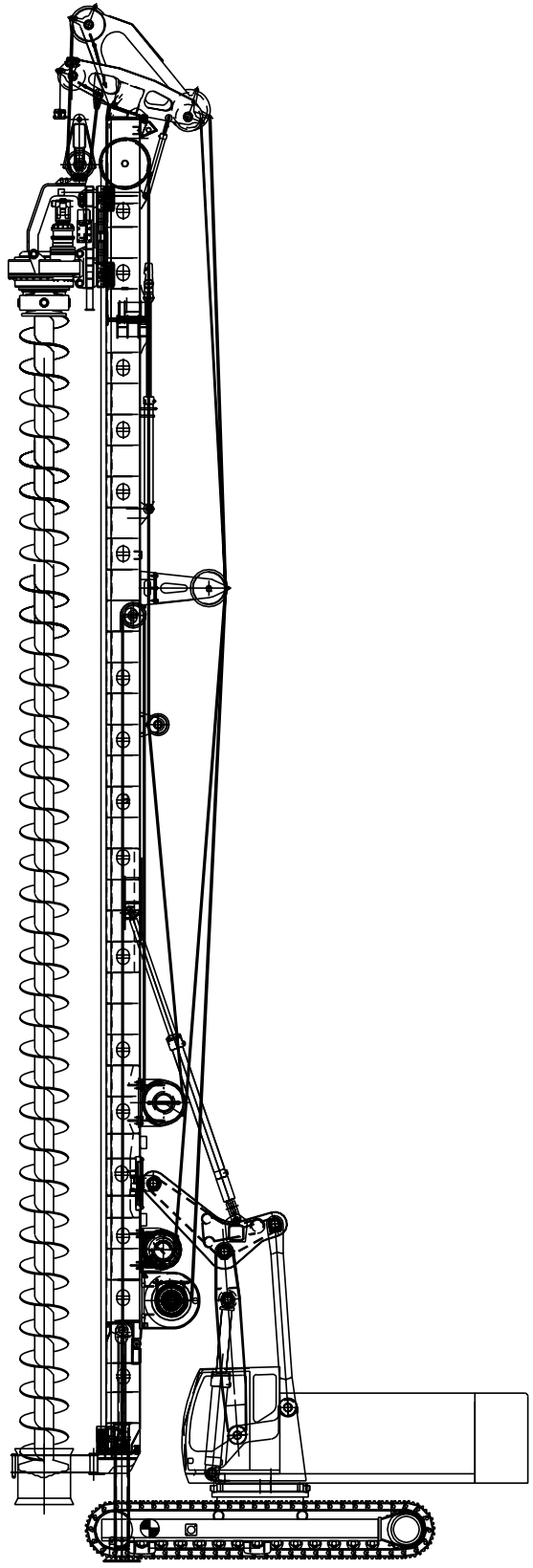
**Preliminary
Datasheet**



DR 27 transport dimensions without rotary head.



DR 27 transport dimensions with rotary head.

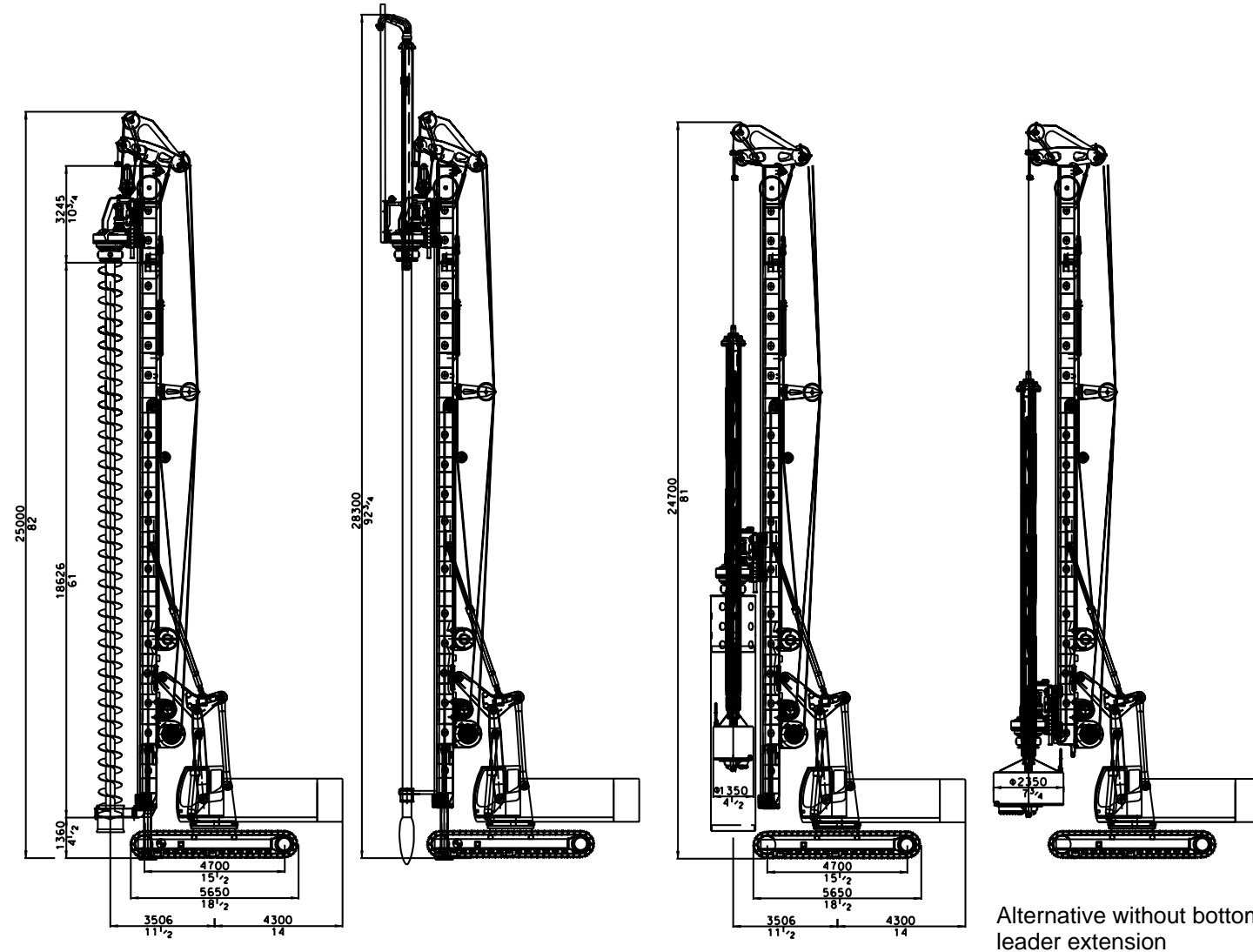


Junttan Oy reserves the right to amend the specification without prior notice. Error and misprints reserved. 30 January 2006 - version M127002.

Junttan DR 27 is a pure drilling rig without compromise. It can complete demanding drilling tasks with Kelly, CFA and Displacement working methods. The maximum torque is 250 kNm.

Junttan rigs are famous for their fast and easy set up, and this rig is no exception. The rig can be transported as one compact piece from one worksite to another. The leader can be raised and lowered effortlessly, and the counterweight can be loaded and unloaded, when needed, without any additional equipment. Changing of the working method from one to another is easy, because no demanding installations are needed.

One of the key points in the design of this new product is the easiness of operation. A new fully electronic control unit ensures reliable and accurate control of the rig in all situations with only two control leavers. The driver cabin has a new practical design. The driving force of the rig is one of the best in its class, and its turning ability is excellent. Accurate information about drilling tasks is given by a new drilling measurement device.



CFA and Displacement-work

DR 27+ JD 25 rotary head for CFA and bored displacement piles.
 Drilling depth without auger cleaner: 18 m (59 ft)
 Drilling diameter (CFA): 1200 mm (47")
 Drilling diameter (Displacement): 500 mm (20")
 Counterweight: 13 000 kg (28 600 lb)
 Working weight: 65 000 kg (143 300 lb) without tools

Kelly-work

DR 27 + JD 25 rotary head for large diameter bored piles.
 Drilling depth: Max. 60 m (197 ft)
 Drilling diameter: 1500 mm (59") cased
 2500 mm (98") uncased
 Counterweight: 13 000 kg (28 600 lb)
 Working weight: 65 000 kg (143 300 lb) without tools

Leader				
Type		KE DR270501		
Total Length	m (ft)	25	(82)	
Maximum extraction force	kN (lb)	730	(164 000)	
Inclinations	Backward/forward/sideward	15°/5°/5° (electronic leader inclinometer)		
Rotary head				
Type		JD 25		
Torque	kNm (ft-lb)	250	(184 500)	
Rotation speed	rpm	7/31		
Spin off speed	rpm	120		
Winches				
Winches	(single line pull, 1. layer)			
Main winch	kg (lb)	20 000	(44 000)	
Aux. winch	kg (lb)	8 000	(17 600)	
Crowd winch	Crowd force	kN (lb)	330 (74 200)	
	Stroke CFA-mode	m (ft)	18 (59)	
	Stroke Kelly-mode	m (ft)	10 (33)	
Uppercarriage				
Engine	Make and Model	Cummins QSM11		
	Power	kW (hp)	298 (400)	
	Fuel tank volume	l (gal)	500 (132)	
Hydraulics	Hydraulic oil tank volume	l (gal)	900 (290)	
	Max. oil flow	l/min (gpm)	680 at 2000 rpm 180 at 2000 rpm	
	Max. pressure	bar (psi)	320 (4640)	
Counterweight	Weight	kg (lb)	13 000 (28 600)	
Undercarriage				
Type		AV DR270501		
	Crawler length	mm (ft)	5650 (18 ½)	
	Min. width	mm (ft)	3000 (9 ¾)	
	Max. width	mm (ft)	4300 (14 ¼)	
	Triple grouser type track shoes	mm (ft)	800 (2 ½)	
Transport dimensions				
	Length with rotary head	m (ft)	18.7 (61)	
	Width	mm (ft)	3000 (9 ¾)	
	Height	mm (ft)	3600 (11 ¾)	
	Total weight	kg (lb)	65 000 (143 300)	
	including rotary head (7 000 kg / 15 400 lb) and counterweight (10 000 kg / 22 000 lb)			
Optional equipment / Working method				
		CFA	Kelly	Displacement
• Hydraulic leader foot		X		X
• Connection for casing oscillator			X	
• CFA measuring system		X		X
• Auger cleaner		X		
• Auger gates		X		X
• Force measuring for auxiliary winch		X	X	X
• Kelly extension 6 m (20 ft)		X		X
• Spin-off facility for rotary table			X	
• Free-fall facility for 8 000 kg auxiliary winch			X	
• Depth control for crowd winch		X	X	X
• Force measuring for crowd winch		X	X	X
• Air compressor		X	X	X
• Auxiliary winch upgrade 10 000 kg		X	X	X
• Adjustable crowd force			X	
• Kelly guide to leader			X	
• Additional counterweight, 2x1 500 kg		X	X	X
Approvals				
Manufactured according to EN 791 standard				